

EDGEMERE® UNDER COUNTER SINK

0545.000

- Rectangular under mount sink with tapered interior bowl
- Made from vitreous china
- Unglazed rim
- Front overflow
- Supplied with mounting kit and template
- **Coordinates with Edgemere® Suite**



Nominal Dimensions:

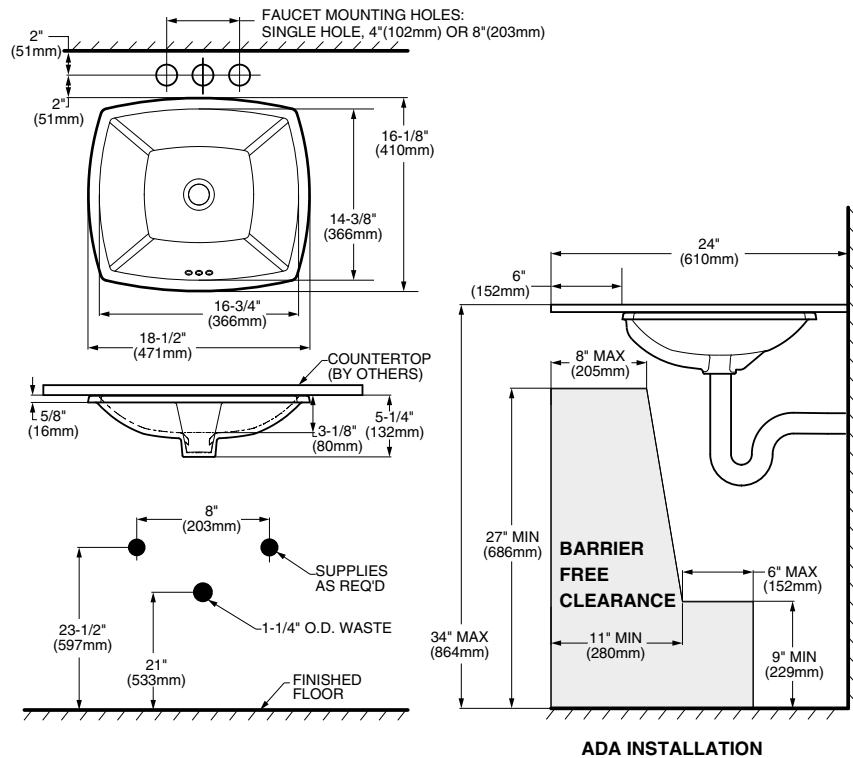
18-1/2" x 16-1/8"
 (471 x 410mm)

Bowl Size:

16-3/4" (426mm) wide
 14-3/8" (365mm) front to back
 3" (77mm) deep

Compliance Certifications - Meets or Exceeds the Following Specifications:

- ASME A112.19.2/CSA B45.1



ADA INSTALLATION

To Be Specified:

- Color: White
- Faucet*:
- Faucet Finish:
- Supplies:
- 1-1/4" Trap:

NOTES:

WE RECOMMEND USING BASIN AS A TEMPLATE TO DETERMINE PROPER CONTOUR. CUT COUNTERTOP 38MM (1-1/2") INSIDE BASIN CONTOUR.
 * DIMENSIONS SHOWN FOR LOCATION OF SUPPLIED AND "P" TRAP ARE SUGGESTED.
 ▼ UNDERCOUNTER MOUNTING KIT SUPPLIED WITH SINK.
 FITTINGS NOT INCLUDED WITH FIXTURE AND MUST BE ORDERED SEPARATELY.
 SEALING COMPOUND SUPPLIED BY OTHERS.

IMPORTANT: Dimensions of fixtures are nominal and may vary within the range of tolerances established by ANSI Standard A112.19.2. These measurements are subject to change or cancellation. No responsibility is assumed for use of superseded or voided pages.

* See faucet section for additional models available